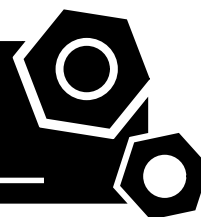


Generator set
Sound-proof type
WPS80S-AU

SPECIFICATIONS



1 Standards & Conditions

Design Standards

The designs and the productions are in conformity with:

- Conformance Européenne (CE)
- ISO8528-5:2005
- GB/T2820.5-2009
- AS 3000-1997
- AS 3010.1-1988

Environmental Operating Conditions

- Installation place: Outdoors or indoors (well ventilated).
- Ambient temperature: -25°C to 45°C. The coolant heater is needed when the temperature is below 5°C
- Humidity: Less than 90%.
- Altitude: Below one thousand (1000) meters above sea level.

Factory Inspection

- Inspection items.
- Protection devices working test.
- Starting ability in normal temperature.
- 50% rated power load moment capability.
- Voltage deviation and speed variation: 0%, 25%, 50%, 75%, 100%, 110% Load.

Painting Process

- Painting process specifications and colors are based on the manufacturer's standard.
- The customer could also choose the color which the manufacturer offers.

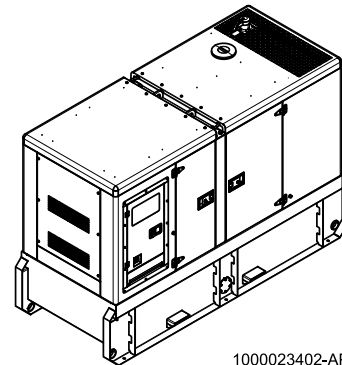
2 General Features

- Perkins engine 1104A-44TG2
- Close coupled to a Leroy Somer alternator LSA44.3S3
- Microprocessor control module PLC-7420
- ABB main circuit breaker: 125A
- Rotate speed governor: Mechanical governor
- Excitation System: Self Excited SHUNT
- A.V.R.Model: R250
- Key switch
- Emergency stop switch
- ATS (automatic transfer switch) receptacle

- Remote run connector
- 1x12V/120AH sealed for life maintenance free battery
- Lockable battery isolator switch
- Powder coated canopy
- 50°C radiator
- Oil pump on the engine
- Non-returning valve for fuel inlet hose of the engine
- Steel base frame with forklifts
- Vibration isolators between the engine/alternator and base frame
- Dry type air filter
- Base fuel tank for 24 hours running
- Drain points for fuel tank
- Breather valve for fuel tank
- Operation Manual / Specifications

3 Equipment Specification

General technical data



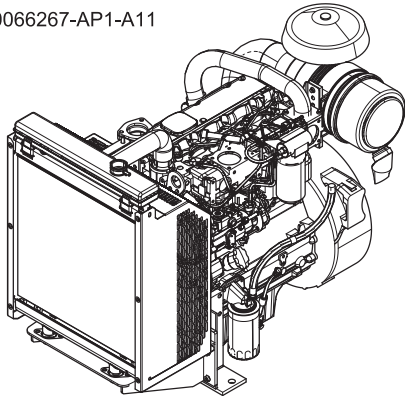
1000023402-AP1-B6

Model.....	WPS80S-AU
Structure type	R
Tank capacity	550L
Dry weight.....	1828kg
Noise level @7m	59.2dBA
Dimensions L×W×H.....	2788x1150x1900mm
Standby Power	88kVA/70kW
Prime Power	80kVA/64kW
Voltage/Ampere	415V/111A

Genset Fuel Consumption					
Frequency/Load	25%	50%	75%	100%	110%
50Hz (L/h)	5.2	9.7	14	18.7	20.5

Diesel Engine

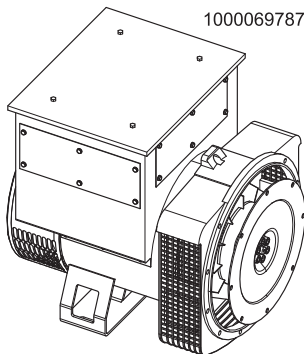
1000066267-AP1-A11



Engine Manufacturer/Brand.....	Perkins
Engine Model.....	1104A-44TG2
Dimensions L×W×H.....	1241×629×951mm
Dry Weigh (approx.)	463kg
Number of Cylinders.....	4
Bore.....	105mm
Stroke	127mm
Displacement.....	4.4L
Compression Ratio.....	17.25
Type of Injection	Direct
Intake System.....	Turbocharged
Intake Resistance.....	≤8.0kPa
Cooling System	Water cooled
Fan	Pusher
Battery Voltage	12V
Type of Fuel.....	Part 2 1998 Class A2 or DIN EN 590
Type of Oil	API-CG4/ CH4
Oil Capacity	8.0L
Type of Coolant	Glycol mixture
Coolant Capacity	13L
Back Pressure	≤10kPa
Standby Powe	80.7kW
Prime Power	73.4kW
Fuel Consumption(100%load).....	18.7L/h

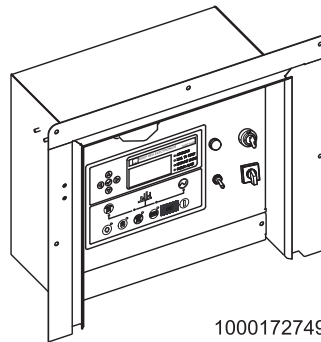
Alternator

1000069787-AP1-A1



Alternator Manufacturer/Brand	Leroy Somer
Alternator Model	LSA44.3S3
Exciter	Brushless
Cooling Fan	Cast alloy aluminum
Windings.....	100% copper
Insulation Class	H
Winding Pitch.....	2/3
Terminals	12
Drip Proof	IP23
Altitude.....	≤1000m
Overspeed	2250rpm
Telephone Interference.....	THF<2%;TIF<50

PLC-7420 Control System



1000172749-AP1-G2

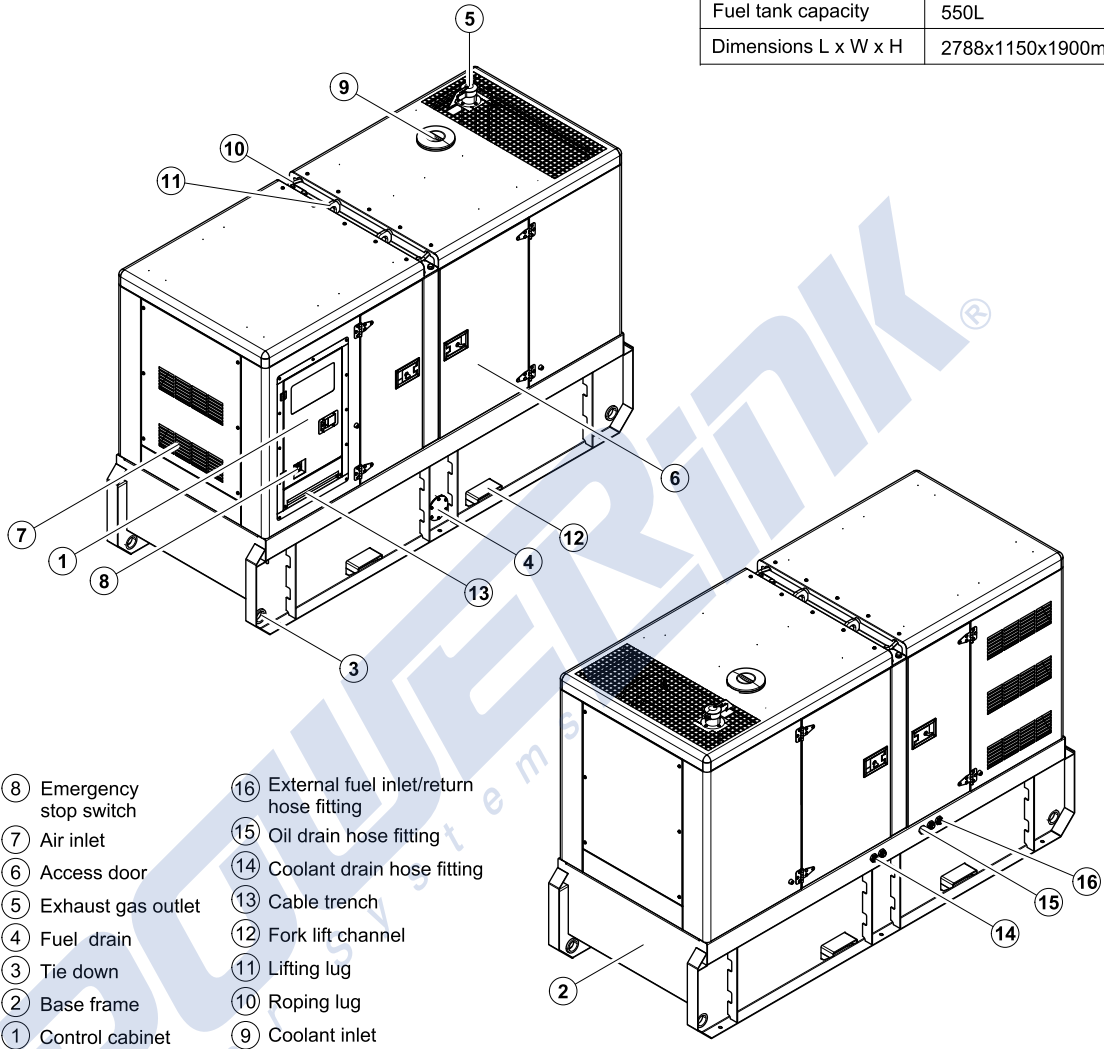
PLC-7420 is an advanced control module based on micro-processor, containing all necessary functions for protection of the genset and the breaker control. It can monitor the mains supply, and automatically start the engine when the mains is abnormal. Accurately measure various operational parameters and display all values and alarms information on the LCD. In addition, the control module can automatically shut down the engine and indicate the engine failure.

- Microprocessor control, with high stability and credibility
- Monitoring and measuring operational parameters of the mains supply and genset
- Indicating operation status, fault conditions, all parameters and alarms
- Multiple protections; multiple parameters display, like pressure, temp. etc.
- Manual, automatic and remote work mode selectable
- Real time clock for time and date display, overall runtime display, 250 log entries
- Overall power output display
- Integral speed/frequency detecting, telling status of start, rated operation, overspeed etc.
- Communication with PC via RS485 OR RS232 interface, using MODBUS protocol

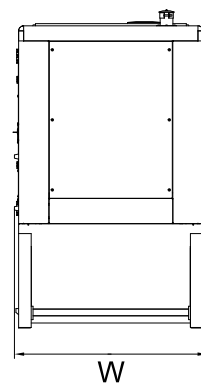
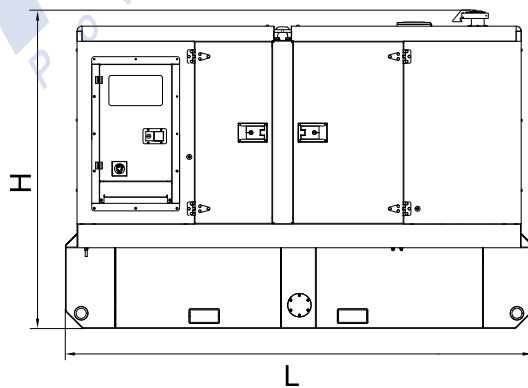
4 Overall Dimensions

1000023402-DR1-B6

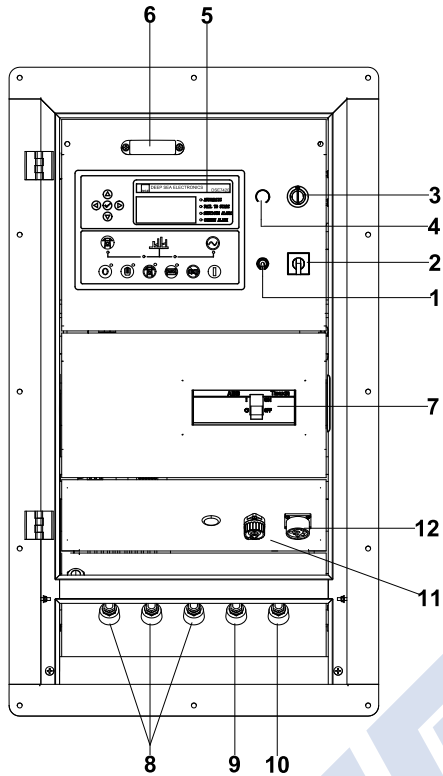
Dry weight	1828kg
Fuel tank capacity	550L
Dimensions L x W x H	2788x1150x1900mm



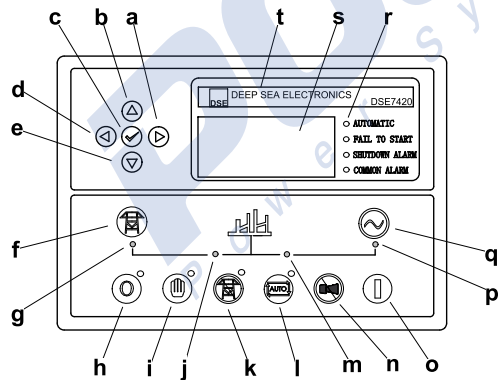
- ⑧ Emergency stop switch
- ⑦ Air inlet
- ⑥ Access door
- ⑤ Exhaust gas outlet
- ④ Fuel drain
- ③ Tie down
- ② Base frame
- ① Control cabinet
- ⑬ Cable trench
- ⑫ Fork lift channel
- ⑪ Lifting lug
- ⑩ Roping lug
- ⑨ Coolant inlet
- ⑯ External fuel inlet/return hose fitting
- ⑮ Oil drain hose fitting
- ⑭ Coolant drain hose fitting



5 Control System



Control & field wiring cabinet



Control Module

Ref.	Description
1	Mains input changeover switch
2	Control cabinet lamp switch
3	Charge indicator
4	Key switch
5	PLC-7420 control module
6	Control cabinet lamp
7	Main circuit breaker
8	Live wire terminals
9	Neutral wire terminal
10	Ground wire terminal
11	Mains input/Remote control communication connector
12	Mains input/Remote control/ATS communication connector

a	Button (next page)
b	Button (increase value / previous item)
c	Button (accept)
d	Button (previous page)
e	Button (decrease value / next item)
f	Button (transfer the load to the mains supply, when in Manual mode only)
g	Mains supply available LED
h	Stop / Reset button
i	Manual button (Manual control mode)
j	Mains supply on load LED
k	Test button (Test mode)
l	Auto button (Auto mode)
m	Genset on load LED
n	Mute/Lamp test button
o	Start button (Manual)
p	Genset available LED
q	Button (transfer the load to the genset, when in Manual mode only)
r	Alarm LED (4 alarm items)
s	LCD display
t	Control module name

100023402-B6-E

04.2018

<http://www.powerlinkworld.com>

*Specification may change without prior notice. For more info.,
contact Power Link or your local distributors please.*